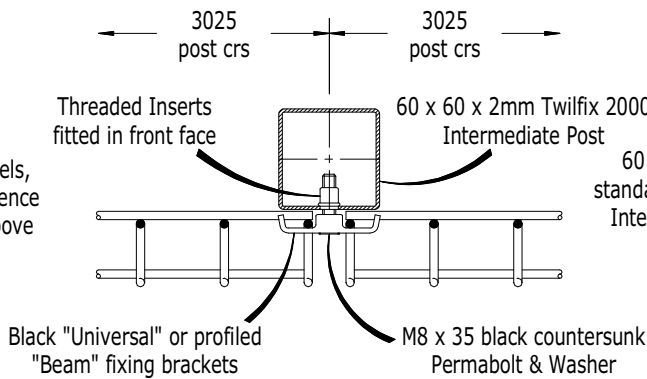
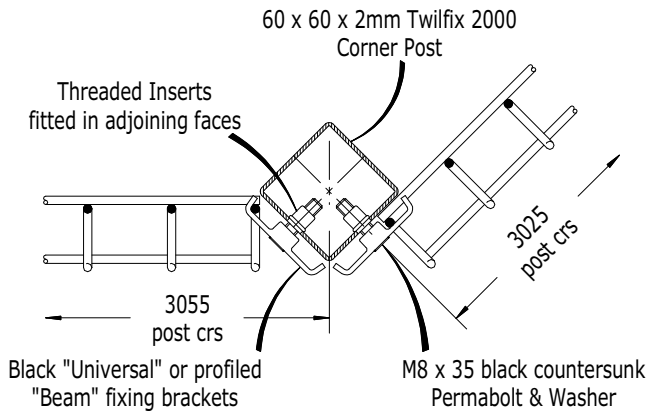


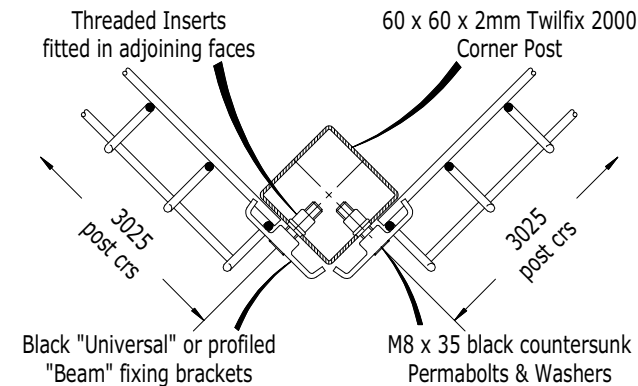
TYPICAL POST AND PANEL FIXING DETAIL



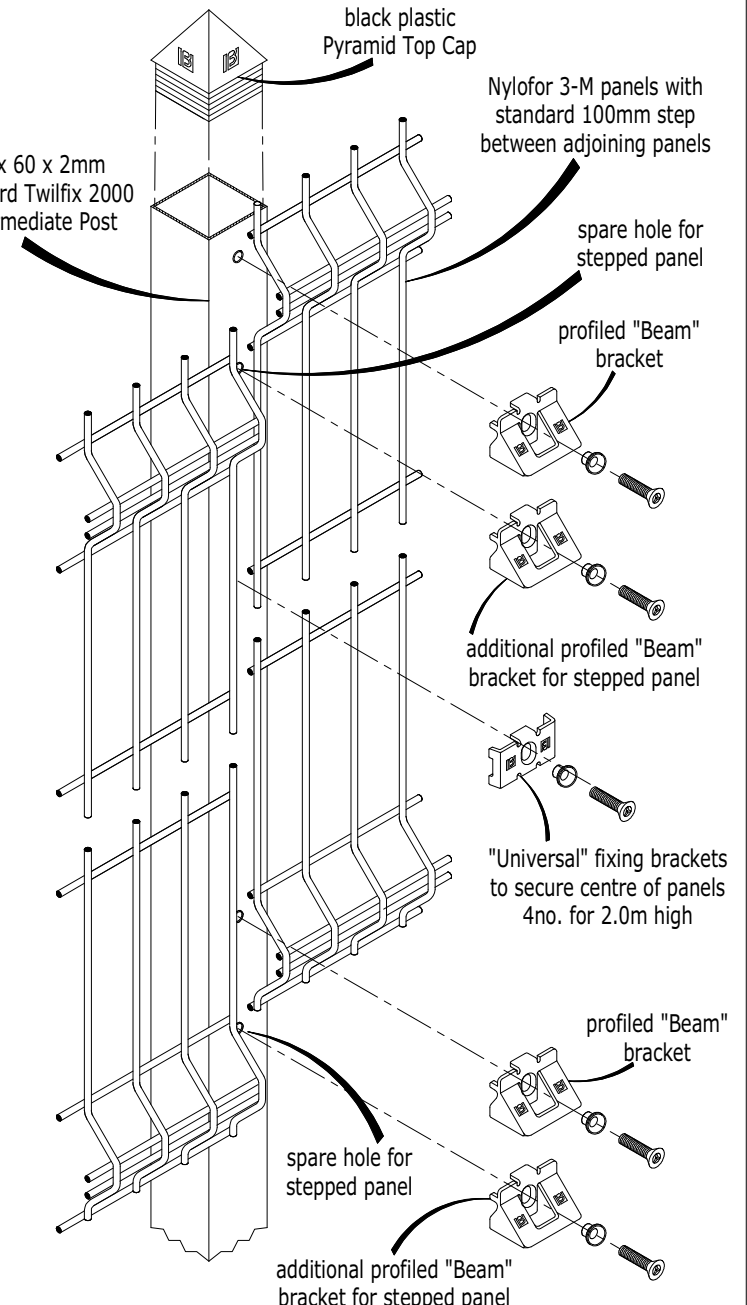
PLAN VIEW ON INTERMEDIATE POST



PLAN VIEW ON OBTUSE CORNER POST



PLAN VIEW ON 90° CORNER POST



STEPPING DETAIL FOR SLOPING GROUND

B BETA FENCE

sales.sheffield@betafence.com
www.betafence.com

Betafence Ltd - Wigan
Woodhouse Lane
Wigan WN6 7NS
Phone 0870 120 3252
Fax 0870 120 3242

Betafence Ltd. reserves the right to
amend and withdraw products
detailed herein, without prior notice

COPYRIGHT © 2005
BETA FENCE LTD - SHEFFIELD - ENGLAND

NYLOFOR 3-M

Drawn

MJH

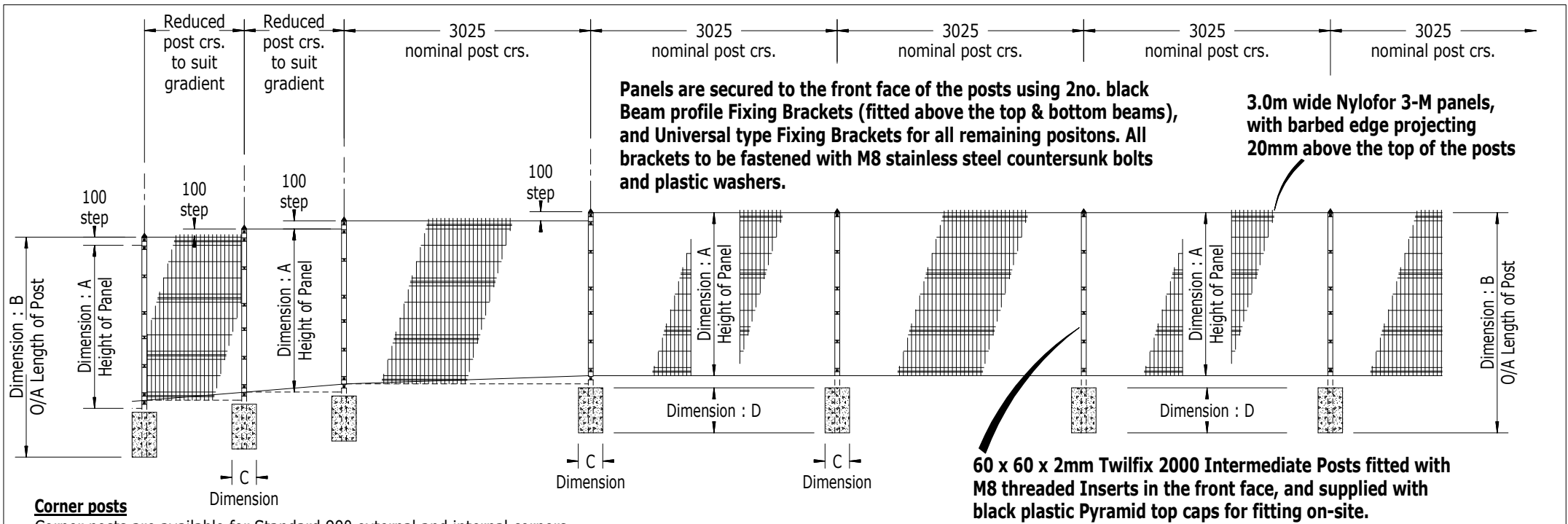
Date

12.06.03

Drawing No :

NY-3M-B

REV



Corner posts

Corner posts are available for Standard 90° external and internal corners, and are also used for obtuse external and internal corners. End posts are not required.

Gradients

All standard Intermediate & Corner posts are fitted with 2no. additional threaded inserts at the top & bottom to facilitate 100mm steps between adjoining panels. Different gradients are achieved by reducing the post centres and width of panel to suit, ie :

- 3000 wide standard panel with 100mm step : 1 in 30 (3.3%) (1.9°)
- 2500 wide standard panel with 100mm step : 1 in 25 (4%) (2.3°)
- 2000 wide site-cut panel with 100mm step : 1 in 20 (5%) (2.9°)
- 1500 wide site-cut panel with 100mm step : 1 in 15 (6.6%) (3.8°)
- 1000 wide site-cut panel with 100mm step : 1 in 10 (10%) (5.7°)

Steeper slopes will require made-to-order extra long posts, manufactured with additional threaded inserts to suit the stepping required between adjoining panels to suit each gradient.

Notes

The preferred method of installation is : Post - Panel - Post - Panel, etc. Bolts may be installed using a Power-Driver and Power-Bit if preferred. When using hand tools, care must be taken to avoid over tightening of bolts.

Panels are secured to the front face of the posts using 2no. black Beam profile Fixing Brackets (fitted above the top & bottom beams), and Universal type Fixing Brackets for all remaining positions. All brackets to be fastened with M8 stainless steel countersunk bolts and plastic washers.

3.0m wide Nylofor 3-M panels, with barbed edge projecting 20mm above the top of the posts

60 x 60 x 2mm Twifix 2000 Intermediate Posts fitted with M8 threaded Inserts in the front face, and supplied with black plastic Pyramid top caps for fitting on-site.

Concrete Foundations must not be leaner by mass than 1 part cement to 10 parts 20mm nominal size graded aggregates, and must be thoroughly compacted prior to the initial set.

All Nylofor 3-M panels are supplied to site in a standard width of 3000mm. Panels for make-up bays are to be cut to suit on site, and made good using a Zinc Etch Primer paint, followed by a top coat of Cromadex 222 polyurethane repair paint.

Nylofor 3-M Panels		Twifix 2000 Posts			Fixings - Level Ground			Fixings - Sloping Ground		
Dim : A Panel Height	Number Of Beams	Dim : B Length Of Post	Dim : C Size Of Found's	Dim : D Depth Of Found's	Total Number Fixings	Number Beam Fixings	Number Universal Fixings	Total Number Fixings	Number Beam Fixings	Number Universal Fixings
1730mm	3no.	2400mm	300mm	500mm	5no.	2no.	3no.	7no.	4no.	3no.
2030mm	4no.	2700mm	300mm	500mm	6no.	2no.	4no.	8no.	4no.	4no.
2430mm	4no.	3100mm	450mm	500mm	7no.	2no.	5no.	9no.	4no.	5no.

IMPORTANT NOTE : The Foundation sizes indicated are for "normal" ground conditions only and may require modification to suit the prevailing ground conditions on-site

The Nylofor 3-M fencing system generally satisfies the requirements for Category : 1 (General Purpose) & Category : 2 (Security) fences as prescribed by B.S. 1722 Part : 14 - Open Mesh Steel Panel Fences

BETAFENCE

sales.sheffield@betafence.com
www.betafence.com

Betafence Ltd - Wigan
Woodhouse Lane
Wigan WN6 7NS
Phone 0870 120 3252
Fax 0870 120 3242

Betafence Ltd. reserves the right to
amend and withdraw products
detailed herein, without prior notice
COPYRIGHT © 2005
BETAFENCE LTD - SHEFFIELD - ENGLAND

NYLOFOR 3M

Drawn

MJH

Date

09.06.03

Drawing No :

NY-3M-A

REV